

200W DC-DC Converter Non-Isolated



FEATURES

1. Natural heat dissipation, efficiency more than 94%, significantly reducing the size of the radiator and heating value.
2. Available for constantly operation with heavy load.
3. Static low-power, can reduce battery consumption.
4. Steady output voltage with soft-start technology, no over-charge of output voltage on power-on.
5. Output over-current limitation
6. Output short-circuit protection. DC/DC converter is free from damage if connects output directly in short or long time, constant short-circuit permissible, and can automatically resume working after the short-circuit disappears.
7. Fully Protection functions such as low-voltage protection, output over-voltage protection, circuit malfunction protection etc., can enhance the reliability of the circuit.

200W DC-DC Converter Non-Isolated

SPECIFICATION

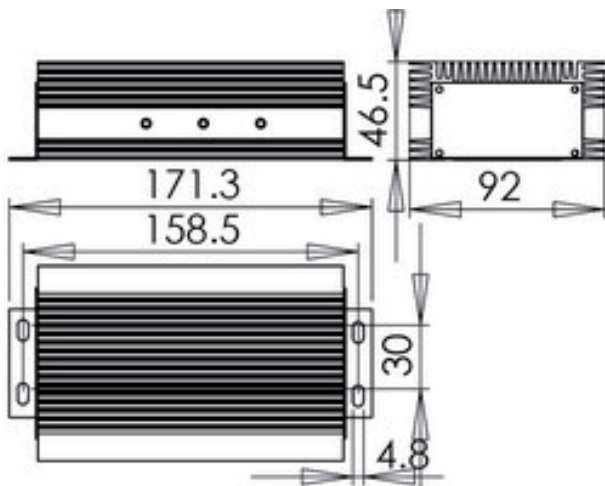
Model	Input Rated Voltage	Output Voltage
TDC-36V/12V	36V	12V
TDC-48V/12V	48V	12V
TDC-72V/12V	72V	12V
TDC-36V/13.8V	36V	13.8V
TDC-48V/13.8V	48V	13.8V
TDC-72V/13.8V	72V	13.8V
TDC-36V/24V	36V	24V
TDC-48V/24V	48V	24V
TDC-72V/24V	72V	24V

TECHNICAL PARAMETER

Nominal Power	200W
Peak Pulse Power	250W
Isolated or not	Non-isolated
Current Limitation (1 hour) @ 12V	20A
Nominal Output Current (Constantly)	15A
Current Limitation (1 hour) @ 24V	10A
Nominal Output Current (Constantly)	7.5A
Voltage Regulation	≤1.5%
Ripple Factor	≤1%
Maximale Efficiency	94%
Output Short-Circuit Current (Constantly)	Yes
Input Allowable Over-voltage	Nominal Voltage x 150%
Overheat Protection	Thermal switch cuts off at internal temperature of 90°C and resets at 80°C
Range of Working Temp	-40°C ~ +60°C
Shock & Vibration	SAEJ1378
Net Weight	0.75kg

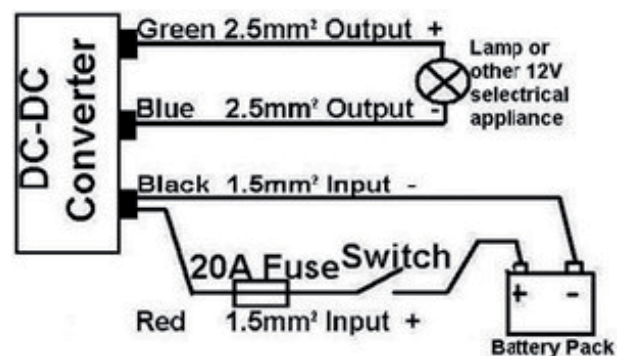
SIZE

171.3 mm x 92 mm x 46.5mm



MODE OF CONNECTION

(e.g. TDC-48-12C)



300W DC-DC Converter Non-Isolated



FEATURES

1. Natural heat dissipation, efficiency more than 94%, significantly reducing the size of the radiator and heating value.
2. Available for constantly operation with heavy load.
3. Static low-power, can reduce battery consumption.
4. Steady output voltage with soft-start technology, no over-charge of output voltage on power-on.
5. Output over-current limitation
6. Output short-circuit protection. DC/DC converter is free from damage if connects output directly in short or long time, constant short-circuit permissible, and can automatically resume working after the short-circuit disappears.
7. Fully Protection functions such as low-voltage protection, output over-voltage protection, circuit malfunction protection etc., can enhance the reliability of the circuit.

300W DC-DC Converter Non-Isolated

SPECIFICATION

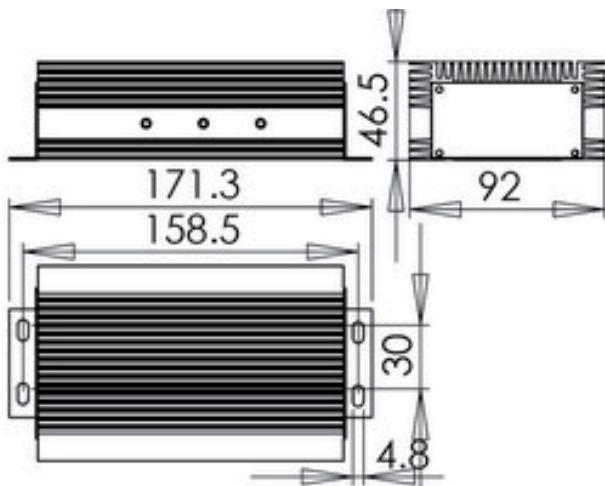
Model	Input Nominal Voltage	Output Voltage
TDC-36V/12V	36V	12V
TDC-48V/12V	48V	12V
TDC-72V/12V	72V	12V
TDC-36V/13.8V	36V	13.8V
TDC-48V/13.8V	48V	13.8V
TDC-72V/13.8V	72V	13.8V
TDC-36V/24V	36V	24V
TDC-48V/24V	48V	24V
TDC-72V/24V	72V	24V

TECHNICAL PARAMETER

Nominal Power	300W
Peak Pulse Power	350W
Isolated or not	Non-isolated
Current Limitation (1 hour) @ 12V	25A
Nominal Output Current (Constantly)	20A
Current Limitation (1 hour) @ 24V	13A
Nominal Output Current (Constantly)	10A
Voltage Regulation	≤1.5%
Ripple Factor	≤1%
Maximale Efficiency	94%
Output Short-Circuit Protection	Yes
Input Allowable Over-voltage	Rated Voltage x 150%
Overheat Protection	Thermal switch cuts off at internal temperature of 90°C and resets at 80°C
Range of Working Temp	-40°C~+60°C
Shock & Vibration	SAEJ1378
Net Weight	0.78kg

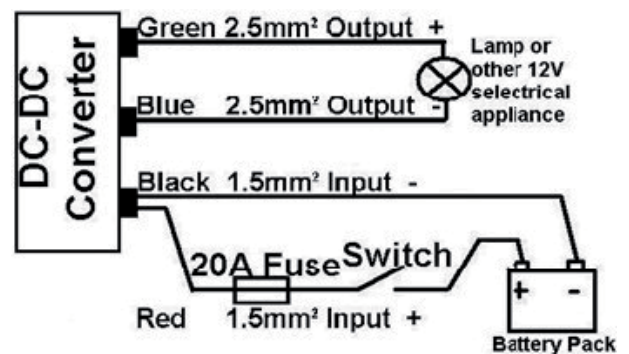
SIZE

171.3mm×92mm×46.5mm



MODE OF CONNECTION

(e.g.TDC-48-12D)



300W DC-DC Converter Wide Voltage



FEATURES

1. High with more than 94% efficiency, significantly reducing the size of the radiator and heating value, natural heat dissipation, fully sealed water-proof
2. Available for constantly operation with heavy load, be able to output maximum current within 1 hour
3. Static low-power, reducing battery consumption
4. Steady output voltage, employing soft startup technology
5. Output excess current limitation
6. Output short-circuit protection. It can attempt to short-circuit output directly in short or long time without damaging and automatically resume working after the short-circuit disappears
7. Fully Protection functions such as low-voltage protection, output over-voltage protection, circuit malfunction protection etc., to improve circuit reliability

300W DC-DC Converter Wide Voltage

SPECIFICATION

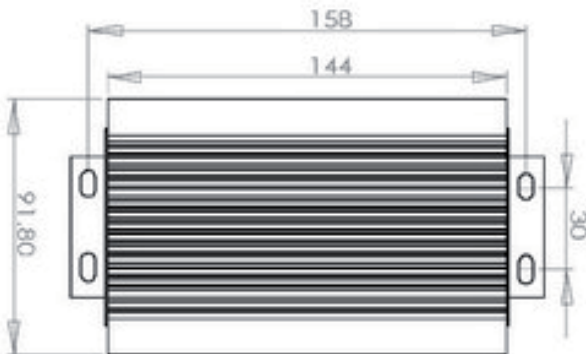
Model	Input Voltage	Output Voltage
TDC-WH24D	30V-130V	24V

TECHNICAL PARAMETER

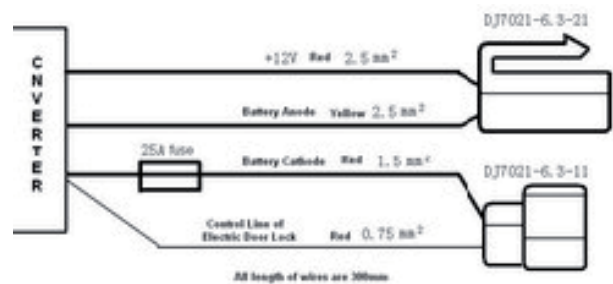
Nominal Power	300W
Peak Pulse Power	350W
Isolated or not	Non-isolated
Input Voltage	30V-130V
Output Voltage	24.2V±0.2V
Current Limitation	12.5A-15A
Voltage Regulation	≤1.5%
Ripple Factor	≤1%
Maximale Efficiency	94%
Output Short-Circuit Protection	Yes
Input Allowable Over-voltage	Maximum 150V
Overheat Protection	Thermal switch cuts off at internal temperature of 90°C and resets at 70°C
Range of Working Temp	-40°C~+55°C
Shock & Vibration	SAEJ1378

SIZE

158mm×115mm×56mm



MODE OF CONNECTION



400W DC-DC Converter Isolated/Non-isolated



FEATURES

1. Natural heat dissipation, efficiency more than 94%, significantly reducing the size of the radiator and heating value.
2. Isolated DC/DC converter can separate the DC input from the output to ensure the safety load.
3. Available for constantly operation with heavy load.
4. Static low-power, can reduce battery consumption.
5. Steady output voltage with soft-start technology, no over-charge of output voltage on power-on.
6. Output over-current limitation
7. Output short-circuit protection. DC/DC converter is free from damage if connects output directly in short or long time, constant short-circuit permissible, and can automatically resume working after the short-circuit disappears.
8. Fully Protection functions such as low-voltage protection, output over-voltage protection, circuit malfunction protection etc., can enhance the reliability of the circuit.
9. Isolated DC/DC converter has a unique charge mode and can connect a backup battery at the output terminal, It can charge the backup battery in a standard charge mode, then goes to floating charge to ensure no electricity shortage and overcharge to the backup battery.

400W DC-DC Converter Isolated/Non-isolated

SPECIFICATION (Isolated)

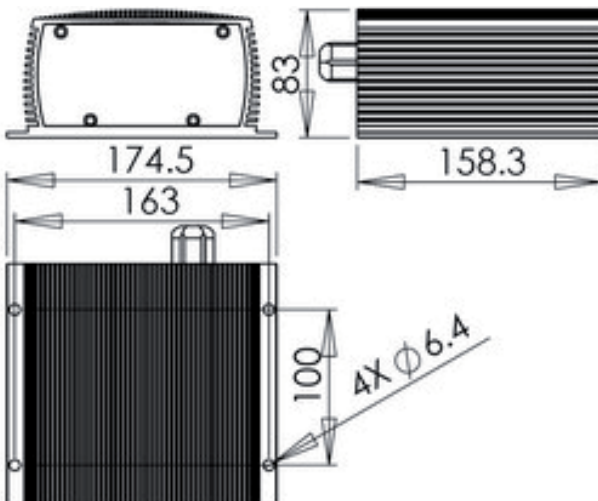
Model	Input Rated Voltage	Output Voltage
TDC-36V/12V	36V	12.5V±0.2V 13.8V±0.2V
TDC-48V/12V	48V	
TDC-72V/12V	72V	
TDC-96V/12V	96V	
TDC-120V/12V	120V	
TDC-144V/12V	144V	
TDC-192V/12V	192V	
TDC-36V/24V	36V	24.5V±0.2V 27.6V±0.2V
TDC-48V/24V	48V	
TDC-72V/24V	72V	
TDC-96V/24V	96V	
TDC-120V/24V	120V	
TDC-144V/24V	144V	
TDC-192V/24V	192V	

TECHNICAL PARAMETER (Isolated)

Nominal Power	400W
Peak Pulse Power	480W
Isolated or not	Isolated
Current Limitation (1 hour) @ 12V	30A
Nominal Output Current (Constantly)	20A
Current Limitation (1 hour) @ 24V	15A
Nominal Output Current (Constantly)	12.5A
Voltage Regulation	≤1.5%
Ripple Factor	≤1%
Maximale Efficiency	94%
Output Short-Circuit Protection	Yes
Input Allowable Over-voltage	Nominal Voltage x 150%
Overheat Protection	Thermal switch cuts off at internal temperature of 90°C and resets at 80°C
Range of Working Temp	-40°C~+60°C (-40°F~+131°F)
Shock & Vibration	SAEJ1378
Net Weight	2.4kg

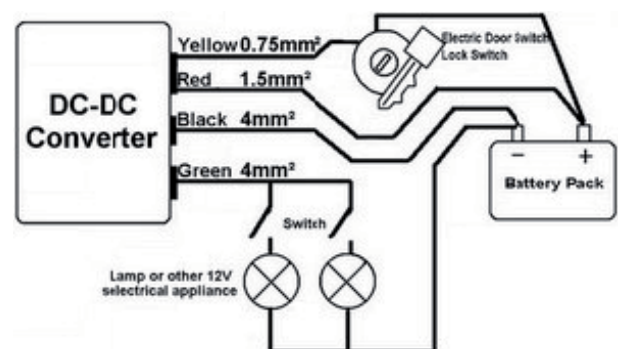
SIZE

174.5mm×158.3mm×83mm



MODE OF CONNECTION

(e.g. TDC-72-12EGA)



400W DC-DC Converter Isolated/Non-isolated

SPECIFICATION (Non-isolated)

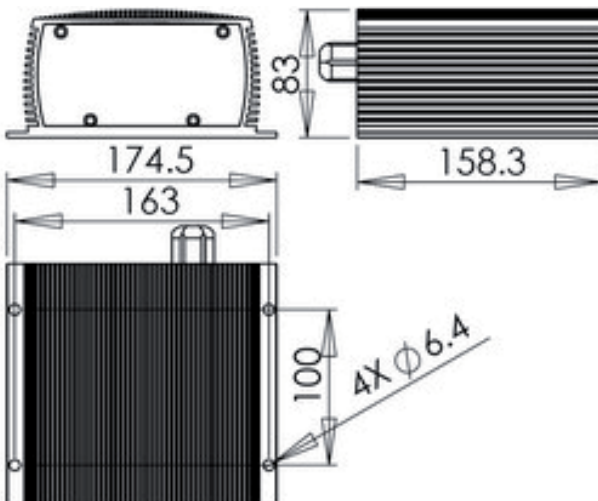
Model	Input Rated Voltage	Output Voltage
TDC-36V/12V	36V	12.5V±0.2V 13.8V±0.2V
TDC-48V/12V	48V	
TDC-72V/12V	72V	
TDC-36V/24V	36V	24.5V±0.2V 27.6V±0.2V
TDC-48V/24V	48V	
TDC-72V/24V	72V	

TECHNICAL PARAMETER (Non-isolated)

Nominal Power	400W
Peak Pulse Power	480W
Isolated or not	Non-isolated
Current Limitation (1 hour) @ 12V	30A
Nominal Output Current (Constantly)	20A
Current Limitation (1 hour) @ 24V	15A
Nominal Output Current (Constantly)	12.5A
Voltage Regulation	≤1.5%
Ripple Factor	≤1%
Maximale Efficiency	94%
Output Short-Circuit Protection	Yes
Input Allowable Over-voltage	Rated Voltage x 150%
Overheat Protection	Thermal switch cuts off at internal temperature of 90°C and resets at 80°C
Range of Working Temp	-40°C~+60°C (-40°F~+131°F)
Shock & Vibration	SAEJ1378
Net Weight	2.1kg

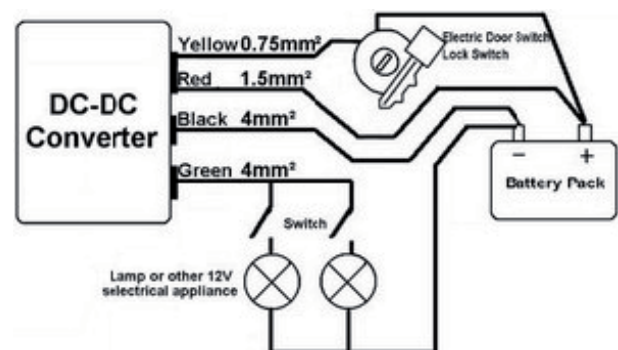
SIZE

174.5mm×158.3mm×83mm



MODE OF CONNECTION

(e.g.TDC-48-12EA)



800W DC/DC Converter Isolated



FEATURES

1. Natural heat dissipation, fully sealed water-proof efficiency more than 93%, significantly reducing the size of the radiator and heating value.
2. Separating the DC input from the output to ensure the safety load.
3. Available for constantly operation with heavy load.
4. Static low-power, can reduce battery consumption
5. Steady output voltage with soft-start technology, no over-charge of output voltage on power-on.
6. Output over-current limitation.
7. Output short-circuit protection. DC/DC converter is free from damage if connects output directly in short or long time, constant short-circuit permissible, and can automatically resume working after the short-circuit disappears.
8. Fully Protection functions such as low-voltage protection, output over-voltage protection, circuit malfunction protection etc., can enhance the reliability of the circuit.
9. It has a unique charge mode, and can connect a backup battery at the output terminal, It can charge the backup battery in a standard charge mode, then goes to floating charge to ensure no electricity shortage and overcharge to the backup battery.

800W DC/DC Converter Isolated

SPECIFICATION

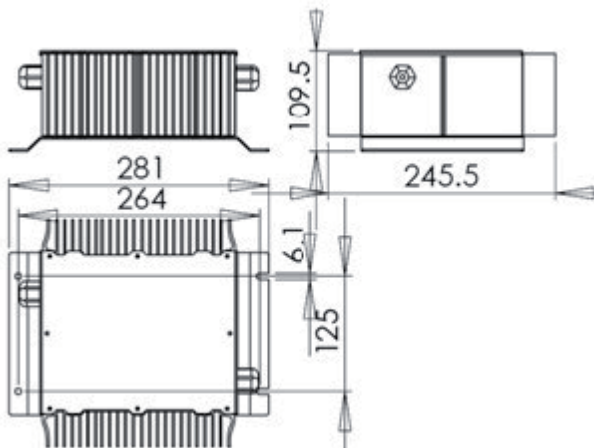
Model	Input Nominal Voltage	Output Voltage
TDC-144V/12V	144V	12.5V±0.1V 13.8V±0.1V
TDC-196V/12V	196V	
TDC-240V/12V	240V	
TDC-288V/12V	288V	
TDC-320V/12V	320V	
TDC-144V/24V	144V	24.5V±0.2V 27.6V±0.2V
TDC-196V/24V	196V	
TDC-240V/24V	240V	
TDC-288V/24V	288V	
TDC-320V/24V	320V	

TECHNICAL PARAMETER

Nominal Power	700W
Maximum Output Power	800W
Nominal Output Current @12V	50A
Nominal Output Current @24V	35A
Voltage Regulation	≤1.5%
Ripple Factor	≤1%
Maximale Efficiency	93%
Output Short-Circuit Protection	Yes
Overheat Protection	Close output when internal temperature exceeds 85°C and reset at 80°C
Range of Working Temp	-40°C~+60°C
Environmental Enclosure	IP56
Shock & Vibration	SAEJ1378

SIZE

281mm×245.5mm×109.5mm



MODE OF CONNECTION

(e.g. TDC-320-12HGA)

